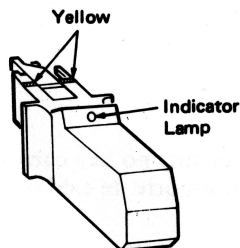
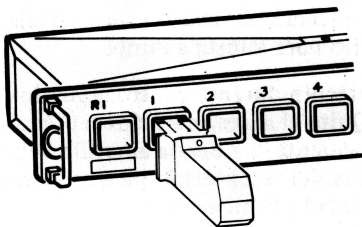


Using the IBM 8228 Setup Aid



CAUTION

DO NOT put the Setup Aid battery in fire or mutilate it; it may release toxic materials. **DO NOT** short circuit the battery; it may cause burns.



Use the IBM 8228 Setup Aid after you have installed the 8228 and before you connect any cables to it. Save one Setup Aid to be used later if you relocate an 8228.

1. Before you begin, make sure no cables are connected to the 8228. If a cable bracket has been installed on the 8228, remove it.
2. Insert the aid into receptacle 1 of the 8228. The yellow stripe should be aligned with the edge of the receptacle to ensure that the aid is firmly seated.

The light will glow brightly when the aid is initially inserted and will gradually dim when the aid is firmly seated in the receptacle.

If the light does not glow brightly when you insert the Setup Aid, remove the screw from the aid and replace the battery. If the light still does not glow brightly after you have replaced the battery, try another Setup Aid.

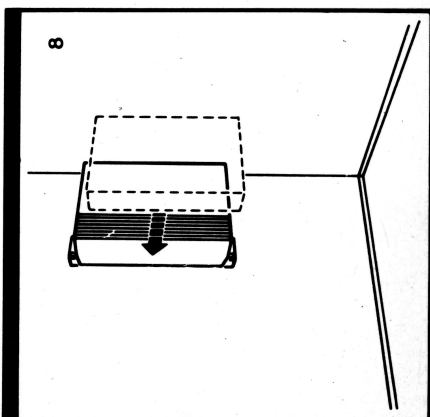
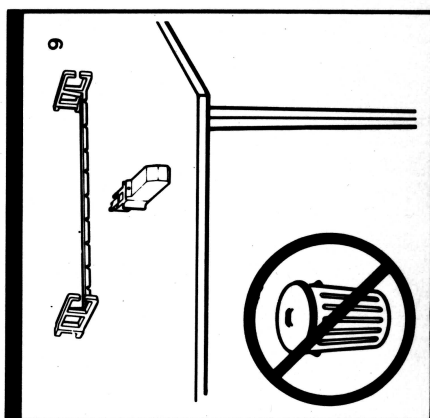
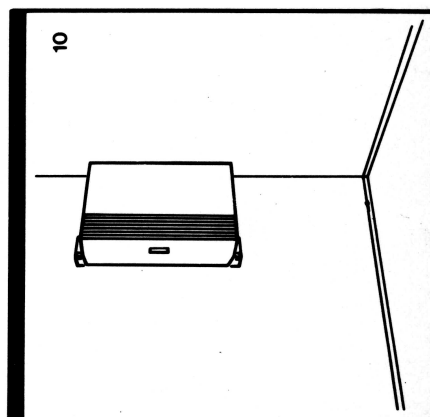
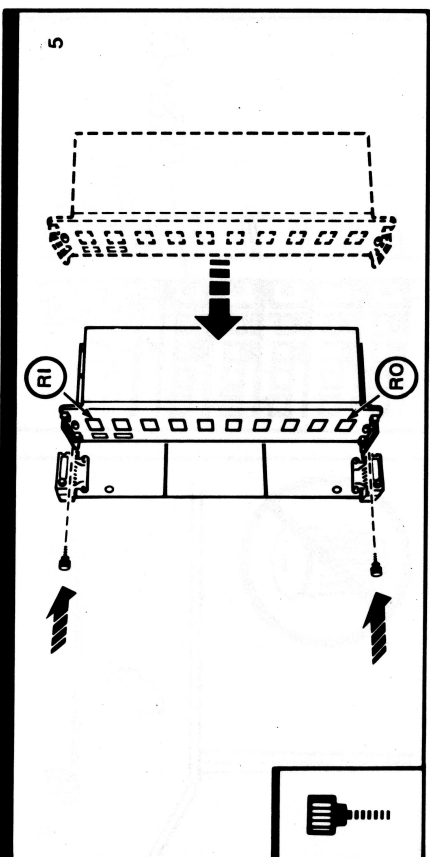
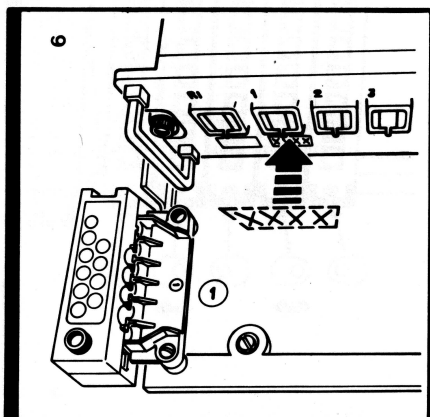
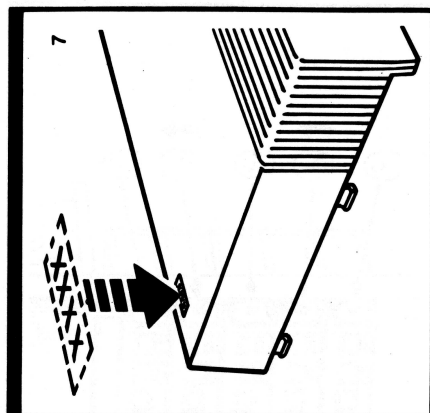
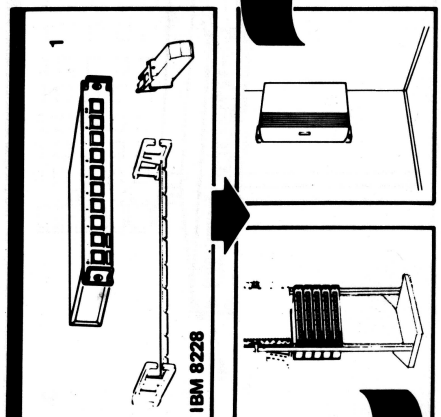
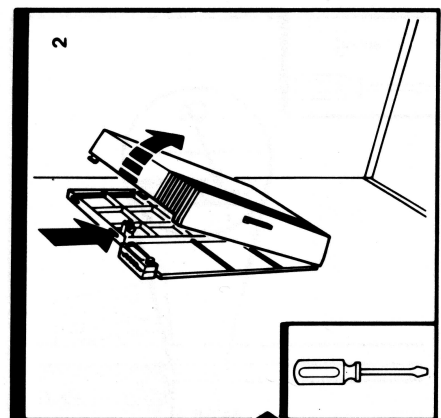
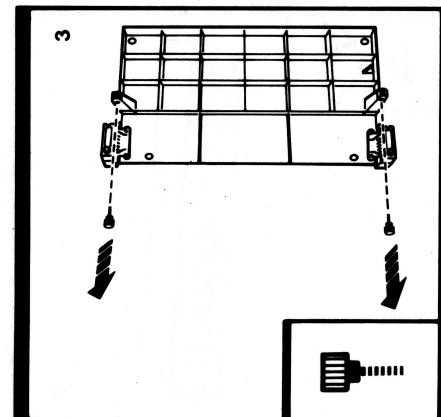
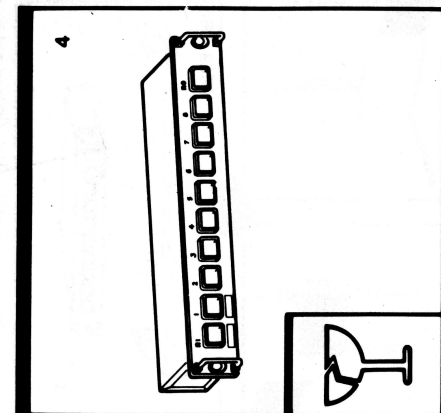
3. Leave the aid in the receptacle for four seconds after the light has gone out. Remove the aid from the receptacle and insert it into the next receptacle. The yellow stripe should be aligned with the edge of the receptacle to ensure that the aid is firmly seated.

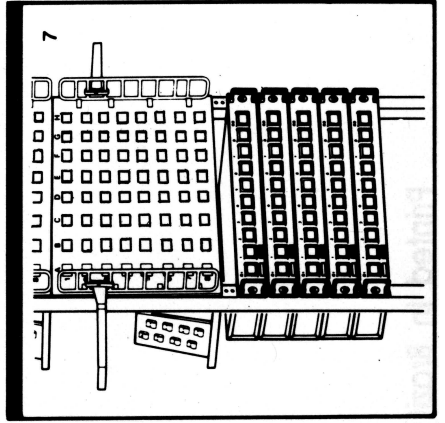
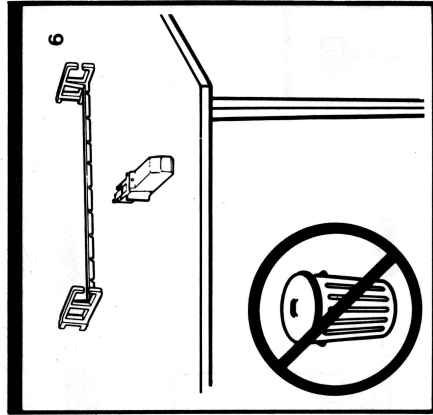
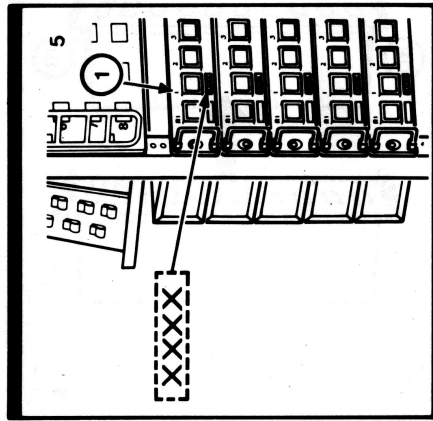
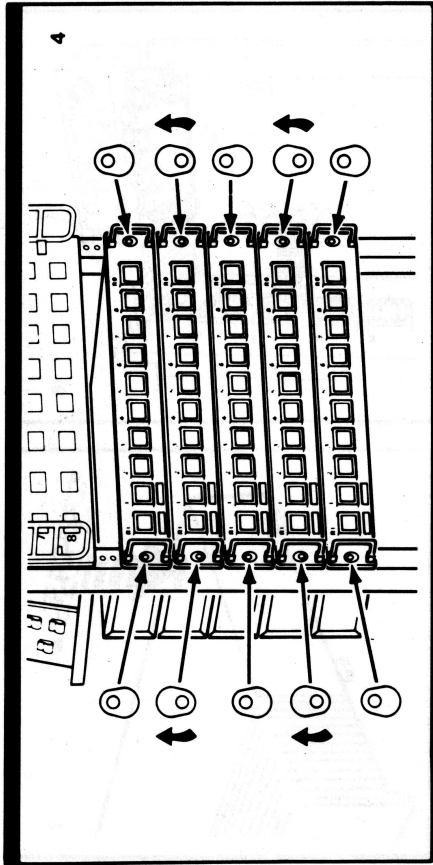
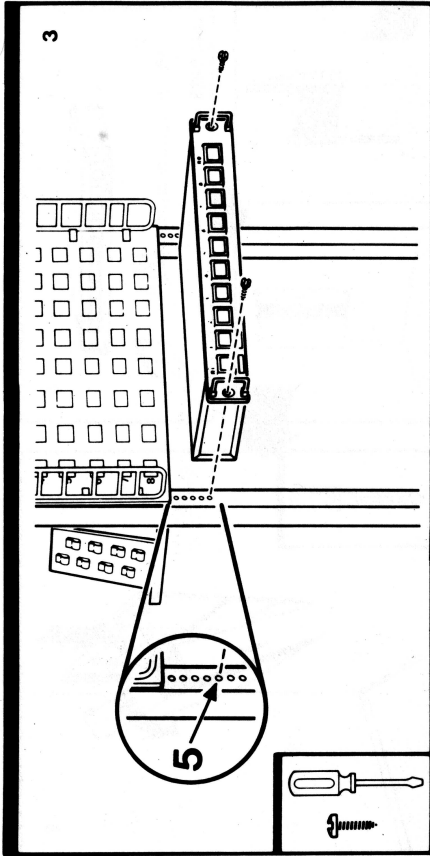
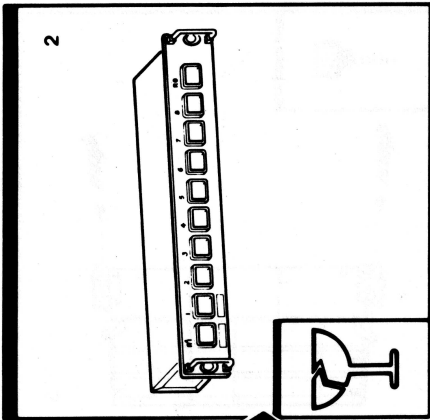
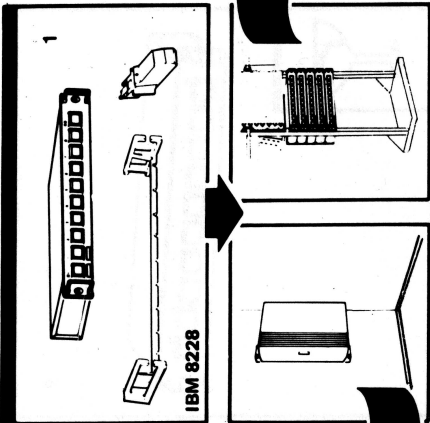
Go to the next receptacle and repeat this step until you have set each receptacle, 1 through 8.

4. When you have set receptacle 8, insert the aid into the RI receptacle for four seconds.

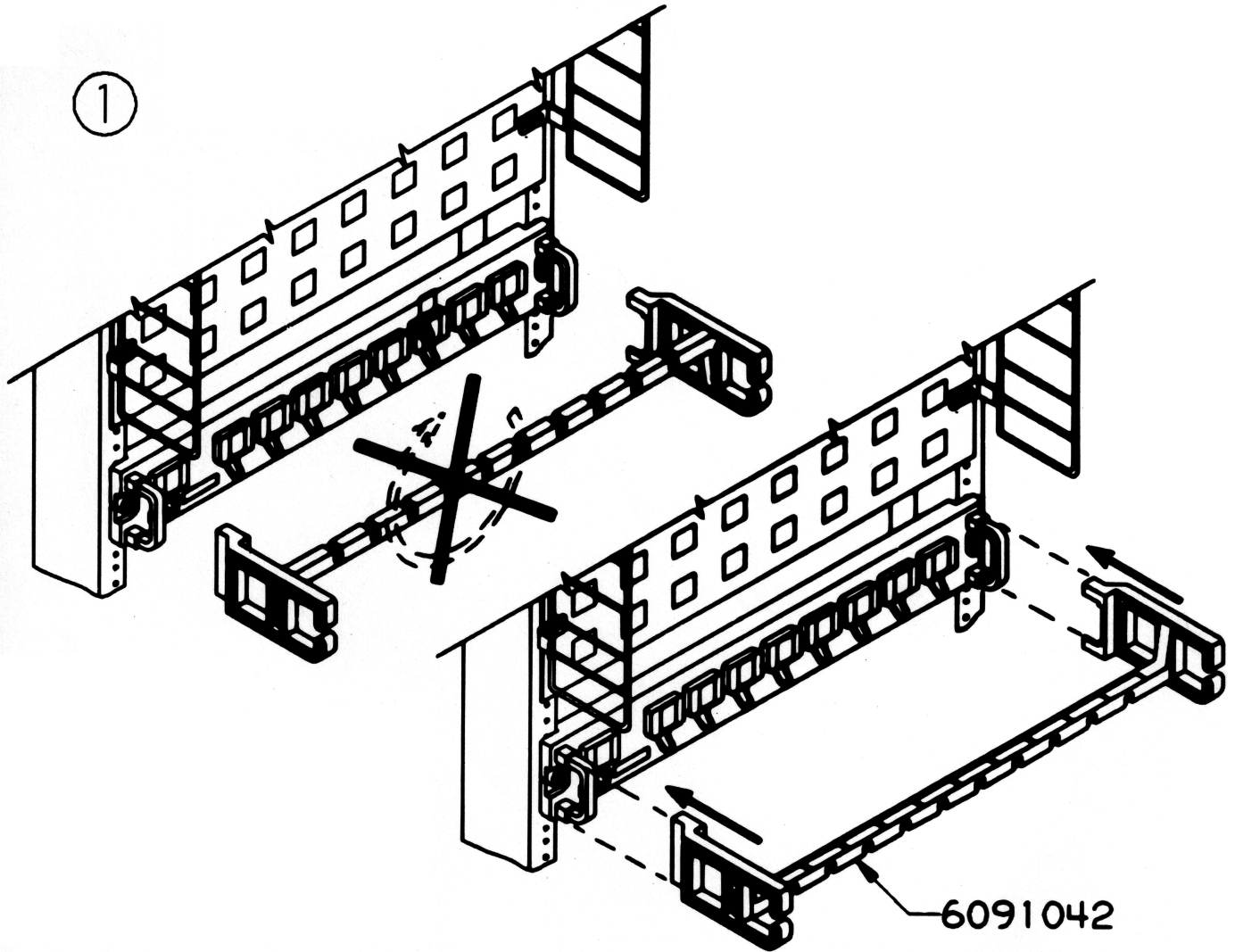
The light should glow brightly while the aid is in the receptacle. If the light does not come on or goes out while the aid is connected to the receptacle, the 8228 must be replaced. Notify your network planner or supervisor.

Note: The 8228 Setup Aid is to be used only in setting up the 8228 either initially or after relocating the 8228. It should never be used when the network is operating.





1



2

