



IBM Systems



Quick start guide for IntelliStation POWER 185 (7047-185)

1

Before you begin

This Quick start guide contains an abbreviated set of setup instructions designed to help you quickly unpack and set up a standard workstation. Users unfamiliar with this IBM® hardware should use the fully detailed setup instructions that you can find in the IBM Systems Hardware Information Center. For details about how to access the information center, see task 5 *Finish your workstation setup*.



The exclamation mark surrounded by a gray triangle denotes caution. A CAUTION notice indicates the presence of a hazard that has the potential of causing moderate or minor personal injury. Before doing a step that contains a caution icon, read and understand the caution statement that accompanies it.



Use safe practices when lifting.



CAUTION: The weight of this part or unit is between 18 and 32 kg (39.7 and 70.5 lb). It takes two persons to safely lift this part or unit. (C009)

2

Inventory

Complete an inventory of the external parts.

Locate the kitting report (inventory list) in the bag that contains the information center CD (SK3T-8159). Make sure you received all of the parts that you ordered. Your order information should be located in an envelope adhered to the outside of your workstation box. You can also obtain order information from your marketing representative or IBM Business Partner.

If you have incorrect, missing, or damaged parts, contact any of the following resources:

- Your IBM reseller
- IBM Rochester manufacturing automated information line at 1-800-300-8751 (United States only)
- Directory of worldwide contacts at www.ibm.com/planetwide. Select your location to view the service and support contact information.

3

Cable the workstation



This product is equipped with a 3-wire (two connectors and a ground) power cable and plug. Use this power cable with a properly grounded electrical outlet to avoid electrical shock. (C018)

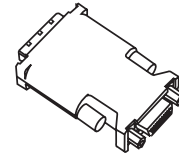
3.1

Connect the workstation's power supply **A** to a power source.

3.2

Connect a TTY terminal or terminal emulator to a serial port **B**, or connect a display monitor to an optional graphics adapter in one of the PCI slots **E**.

Tip: Some graphics adapters require a DV1-1 to VGA converter. If you are using one of these graphics adapters, attach the supplied converter (04N7533) to your monitor cable before connecting to the graphics adapter.



3.3

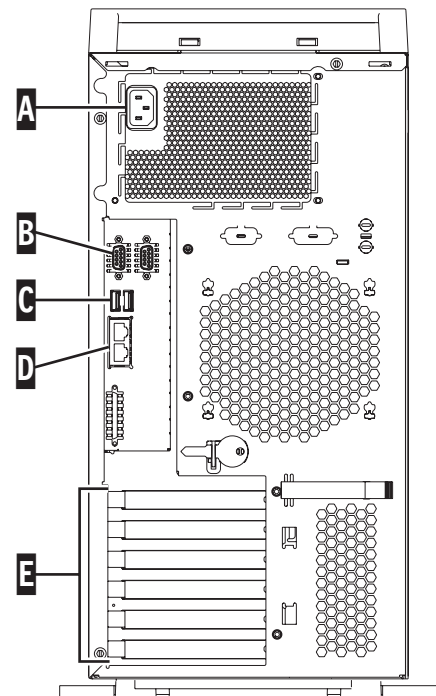
Connect a keyboard and mouse to the USB ports **C**.

3.4

If you want to connect the workstation with your network, connect a network cable to one of the ethernet ports **D**.

3.5

If you are using any optional adapters, connect the cables to the appropriate adapter connectors in the PCI slots **E** of your workstation.

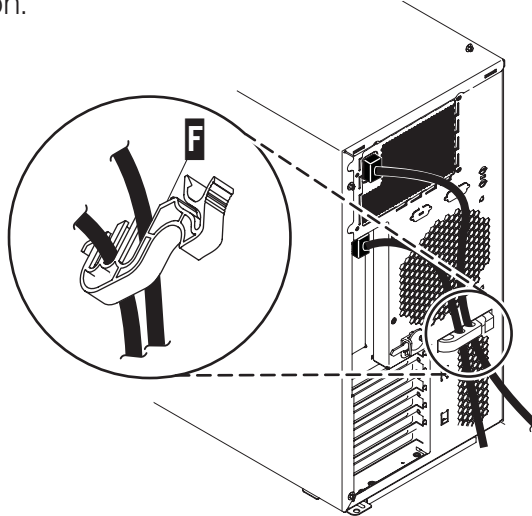


4

Install the back cover

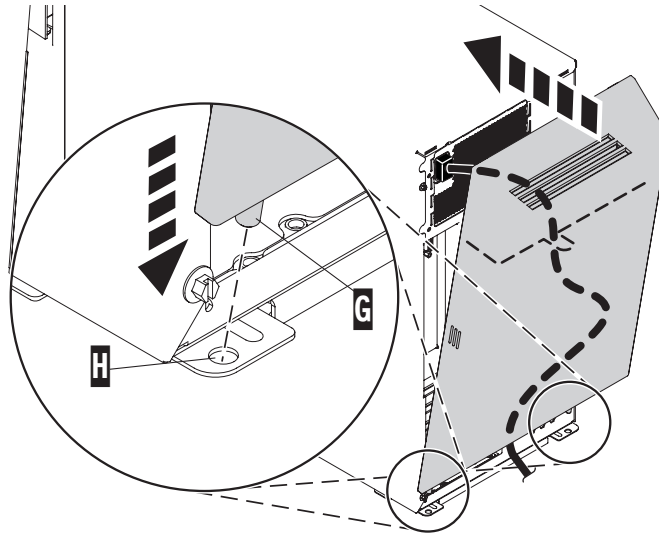
4.1

Route all cables through the cable clamp **F** and attach the cable clamp into the back of the workstation.



4.2

Place the pins **G** on the bottom of the cover into the slots **H** at the bottom of the workstation.



4.3

Align the power cable with the slot on the inside of the cover.

4.4

Rotate the cover toward the workstation and apply pressure until you hear an audible click.

Tip: There should not be a noticeable gap between the cover and the workstation. It may be necessary to place one hand on the front of the system as you push the cover into place in order to gain enough leverage to firmly seat the cover onto the workstation.

5

Finish your workstation setup

You have completed the basic tasks to set up your workstation.

You can now access the IBM Systems Hardware Information Center. Follow these steps to create a customized checklist that helps you configure your workstation, install software, apply fixes, and establish connections with your service provider:

5.1

Using a Web browser, go to the information center at www.ibm.com/systems/infocenter/hardware.

5.2

From the navigation bar, click **Systems Hardware information > IntelliStation POWER information > Initial server setup > Create a customized initial server setup checklist**.

5.3

Answer the questions in the interactive interview, and follow the procedures in the resulting checklist.

If you cannot access the online version of the information center, it is also provided on a CD with your workstation (SK3T-8159).



© International Business Machines Corporation 2006, 2007

Printed in USA
September 2007
All Rights Reserved

Mail comments to:
IBM Corporation
Attention Department DDR
3605 Highway 52 North
Rochester, MN U.S.A. 55901-7829

Fax comments to:
1-800-937-3430 (U.S. or Canada)
1-507-253-5192 (outside the U.S. or Canada)
Internet URL: <http://www.ibm.com/systems/infocenter/hardware>

References in this publication to IBM products or services do not imply that IBM intends to make them available in every country or region.

IBM, the IBM logo, IntelliStation, and POWER are trademarks of International Business Machines Corporation in the United States, other countries or both.

Other company, product, and service names may be trademarks or service marks of others.



29R1714



SA41-5167-03